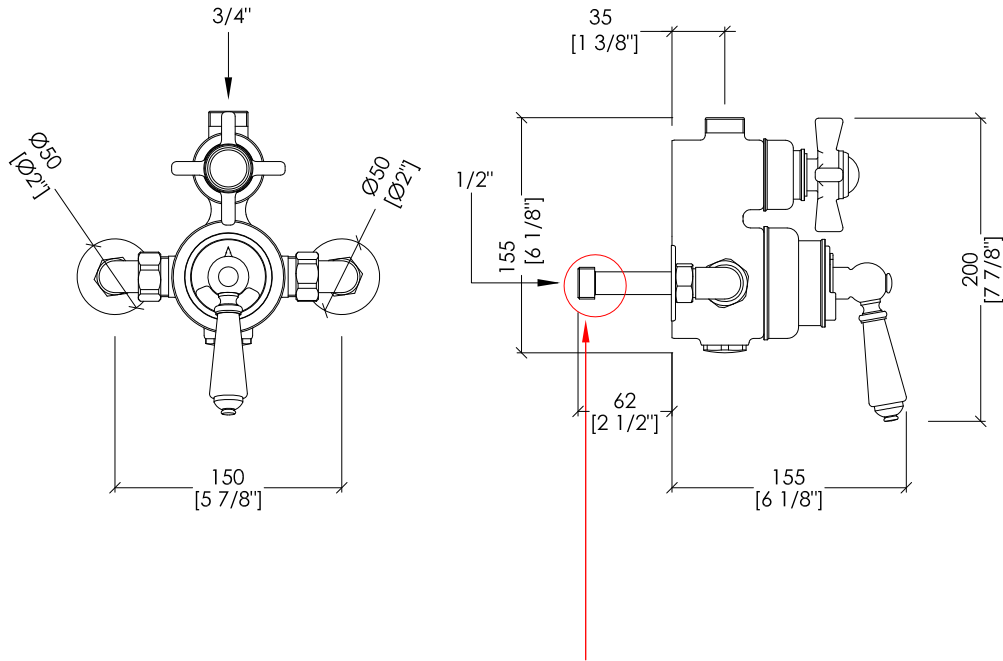


Devon&Devon

THERMOSTATIC - MARM74BD



TUBI DI ADDUZIONE ACQUA IN RAME (FORNITI)
DIAMETRO 15 MM
ATTACCO G1/2" M

WATER SUPPLY CONNECTIONS IN COPPER WITH A DIAMETER OF 15MM, 1/2" BSP MALE ATTACHMENT (CAN BE CUT TO LENGTH), FOR USE WITH SEALANT TAPE INTO PRE-FITTED FEMALE SOCKETS (NOT SUPPLIED).

► PER IL MONTAGGIO ABBINARE AD ARTICOLO:

MARK618CR/ MARK618/ MARK618NKS
+
MARK318CR/ MARK318/ MARK318NK o
MARK3182CR/ MARK3182/ MARK3182NKS

► FOR ASSEMBLY COMBINE WITH ARTICLE:

MARK618CR/ MARK618/ MARK618NKS
+
MARK318CR/ MARK318/ MARK318NK or
MARK3182CR/ MARK3182/ MARK3182NKS

MARM74CRBD; MARM74BD; MARM74NKSBD

► GRUPPO DOCCIA MISCELATORE TERMOSTATICO
► MATERIALE: ottone e ceramica nera
► FINITURA: cromo, oro chiaro o nickel lucido
► TOLLERANZA: $\pm 2\%$
► DIMENSIONE IMBALLO: mm 360x285x185H

► THERMOSTATIC SHOWER MIXER
► MATERIAL: brass and black ceramic
► FINISH: chrome, light gold or polished nickel
► TOLLERANCE: $\pm 2\%$
► PACKAGING SIZE: inch 14 1/8"x 11 1/4"x 7 1/4"H

N.B. Tutte le misure sono in millimetri/pollici. Questo disegno è di proprietà Devon&Devon. Non può essere riprodotto o trasmesso a terzi senza autorizzazione.

N.B. All measurements are in millimetres/inch. This drawing is property of Devon&Devon. It may not be reproduced or transmitted to third parties without authorization.