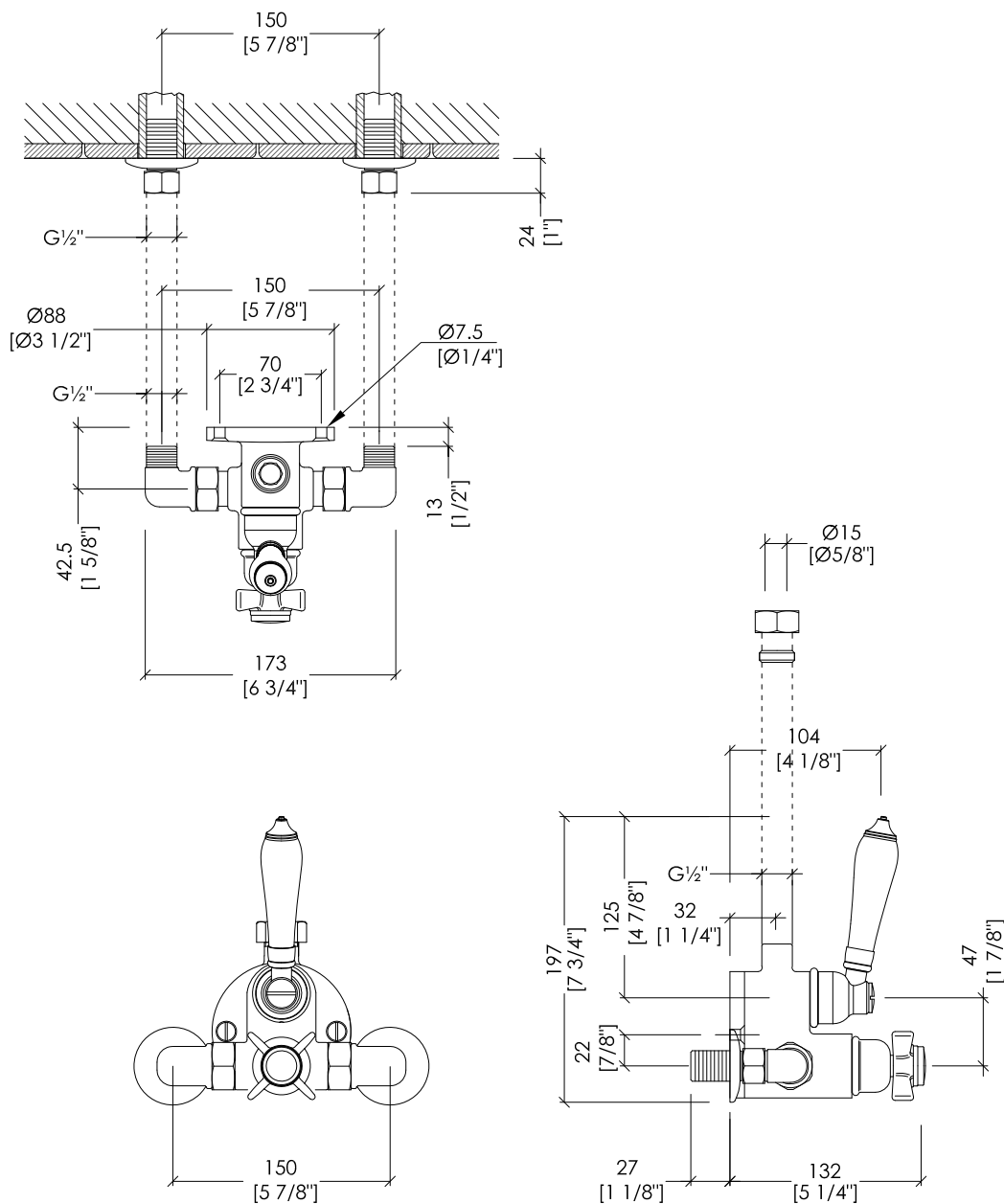


Devon&Devon

THERMOSTATIC



► PER IL MONTAGGIO ESTERNO ABBINARE AD ARTICOLO:

AQK3CR; AQK3; AQK3NK o
 AQK320CR; AQK320; AQK320NK o
 MARK318CR; MARK318; MARK318NK o
 MARK3182CR; MARK3182; MARK3182NKS o
 AQ5903CR; AQ5903; AQ5903NKS + AQ5115/SNCR; AQ5115/SNOT;
 AQ5115/SNNKS o AQ5120/SNCR; AQ5120/SNOT; AQ5120/SNNKS o
 AQ5130/SNCR; AQ5130/SNOT; AQ5130SNNKS

► FOR EXTERNAL ASSEMBLY COMBINE WITH ARTICLE:

AQK3CR; AQK3; AQK3NK or
 AQK320CR; AQK320; AQK320NK or
 MARK318CR; MARK318; MARK318NK or
 MARK3182CR; MARK3182; MARK3182NKS or
 AQ5903CR; AQ5903; AQ5903NKS + AQ5115/SNCR; AQ5115/SNOT;
 AQ5115/SNNKS or AQ5120/SNCR; AQ5120/SNOT; AQ5120/SNNKS or
 AQ5130/SNCR; AQ5130/SNOT; AQ5130SNNKS

HUF84CR; HUF84; HUF84NK

- GRUPPO DOCCIA MISCELATORE TERMOSTATICO ESTERNO
- MATERIALE: ottone e ceramica bianca
- FINITURA: cromo, oro chiaro o nickel lucido
- TOLLERANZA: ± 2 %
- DIMENSIONE IMBALLO: mm 190x205x145H
- PESO: 2.6 Kg

- EXTERNAL SHOWER THERMOSTATIC MIXER
- MATERIAL: brass and white ceramic
- FINISH: chrome, light gold or polished nickel
- TOLLERANCE: ± 2 %
- PACKAGING SIZE: inch 7 1/2"x8 1/8"x5 3/4"H
- WEIGHT: 5.73 Lbs

N.B. Tutte le misure sono in millimetri/pollici. Questo disegno è di proprietà Devon&Devon.
 Non può essere riprodotto o trasmesso a terzi senza autorizzazione.

N.B. All measurements are in millimetres/inch. This drawing is property of Devon&Devon.
 It may not be reproduced or transmitted to third parties without authorization.